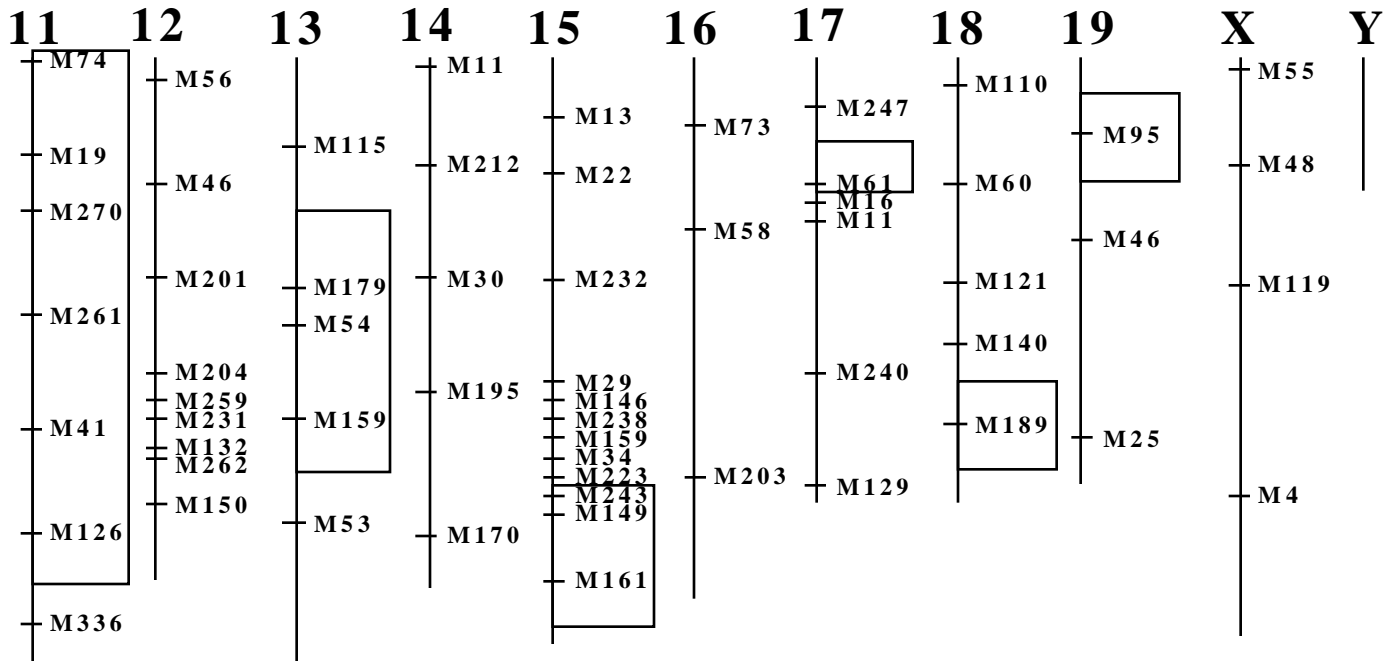
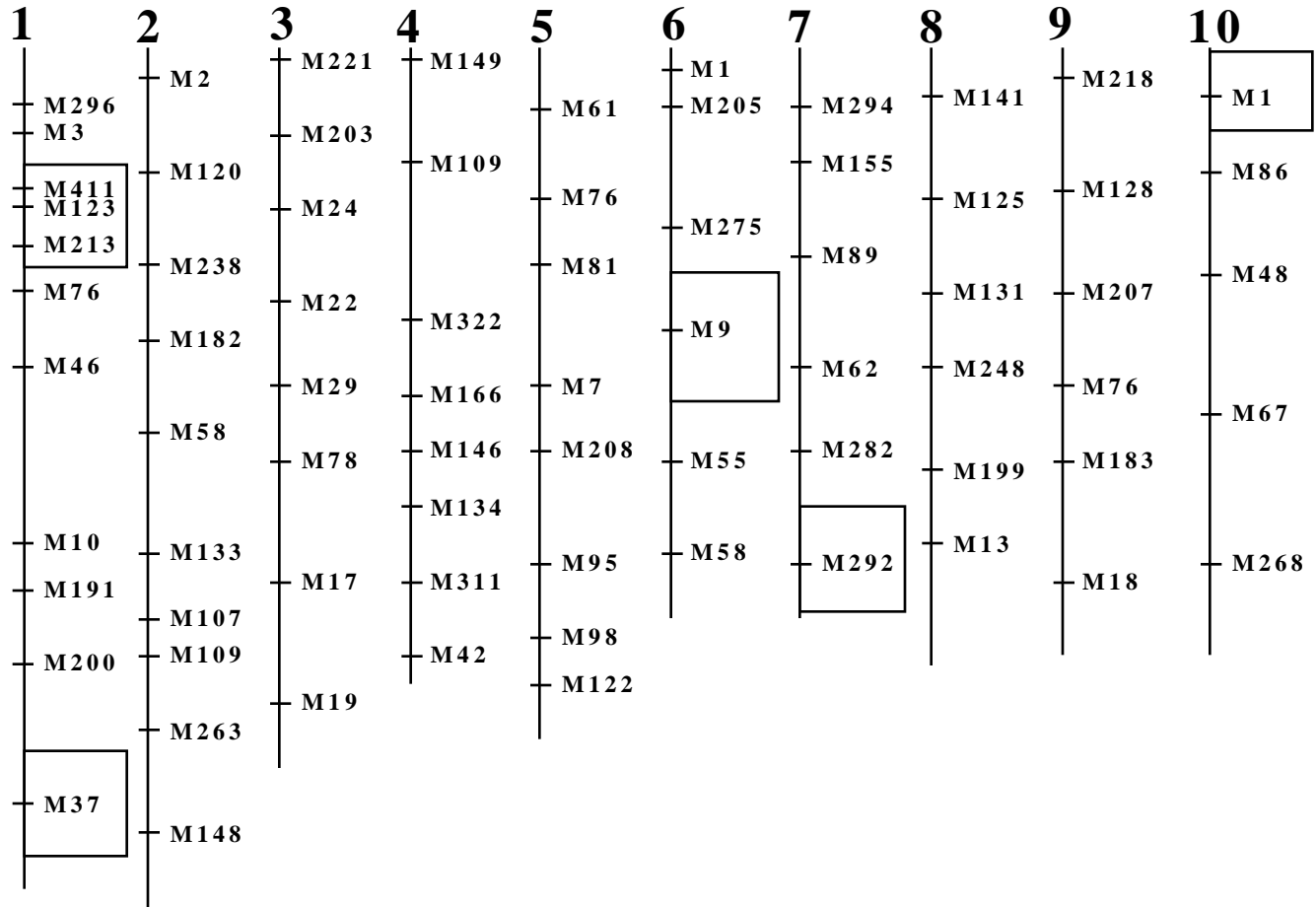


# RCS-2 (NONcNZO2)



**NZO-Derived**

**NON-Derived**

Last Updated 3/15/2002