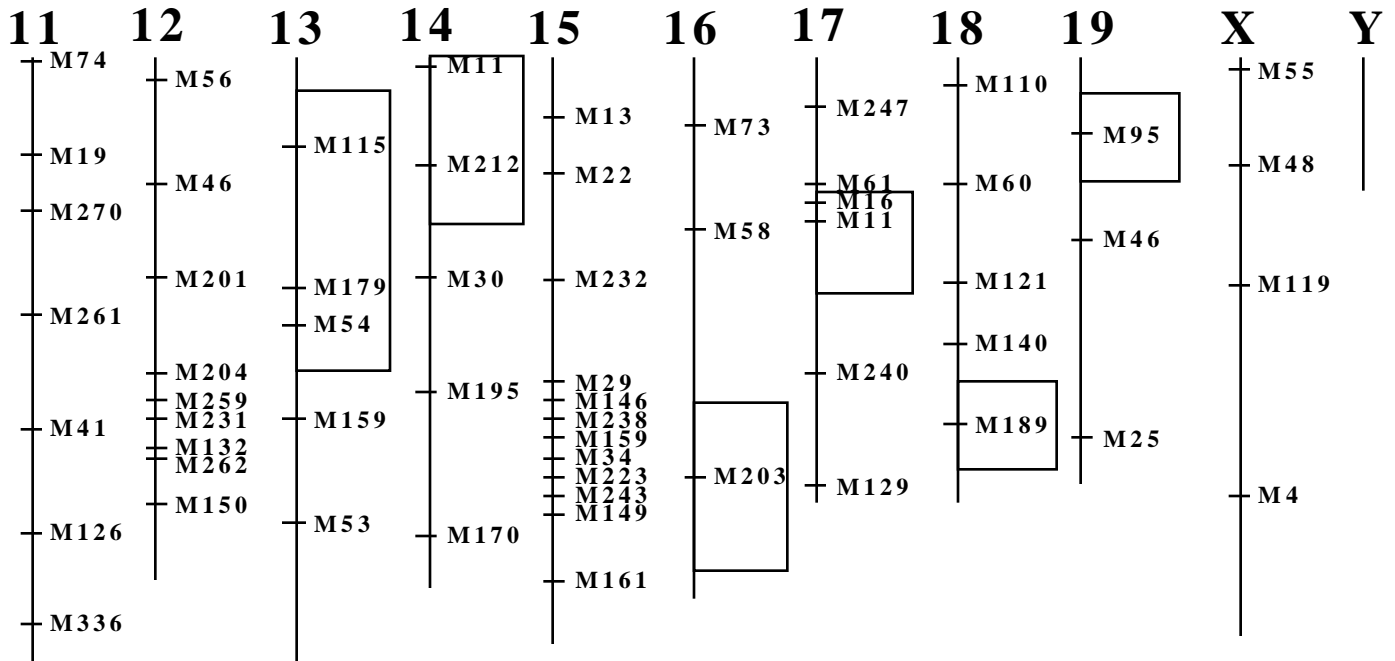
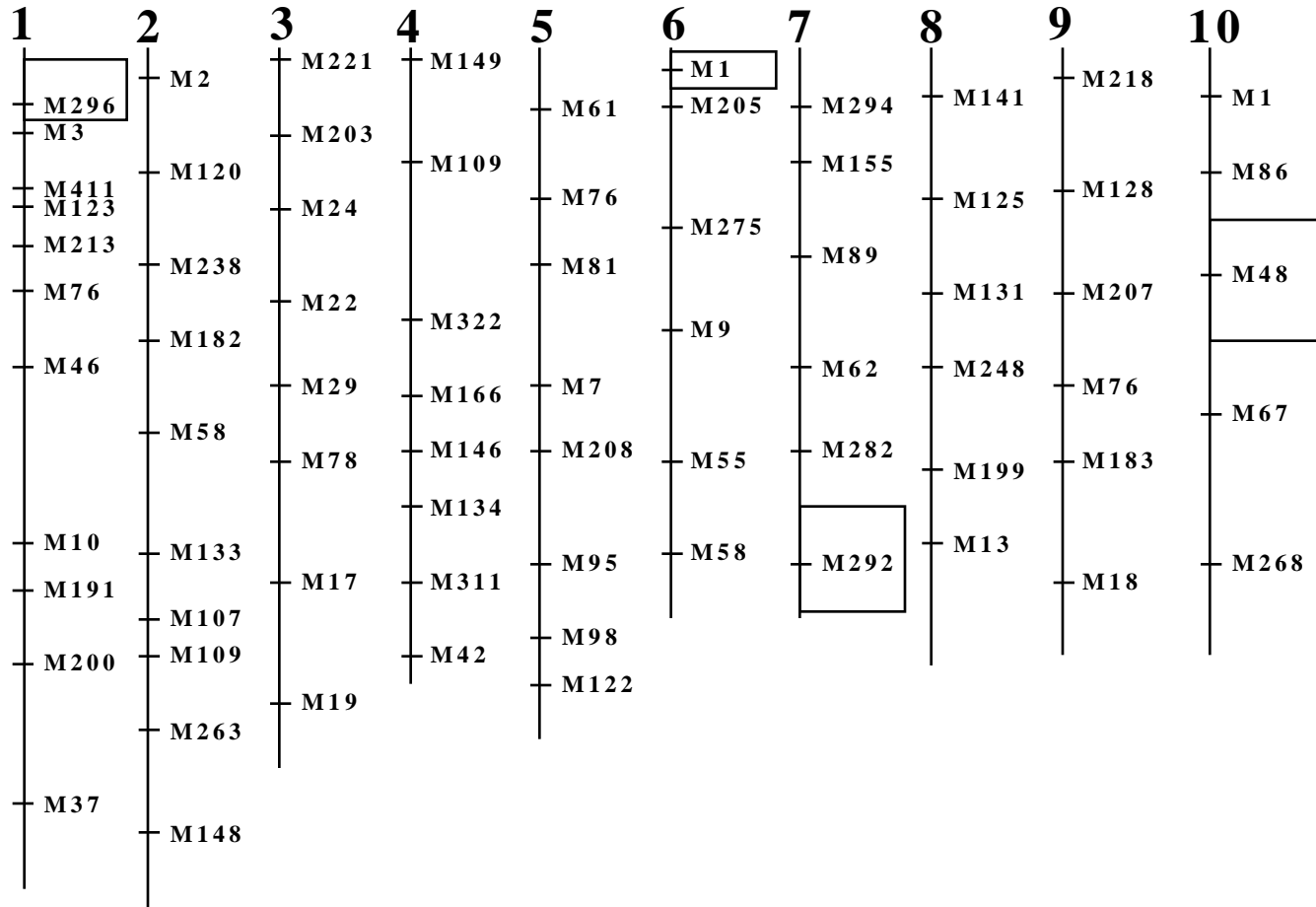


RCS-3 (NONcNZO3)



NZO-Derived

NON-Derived

Last Updated 3/15/2002