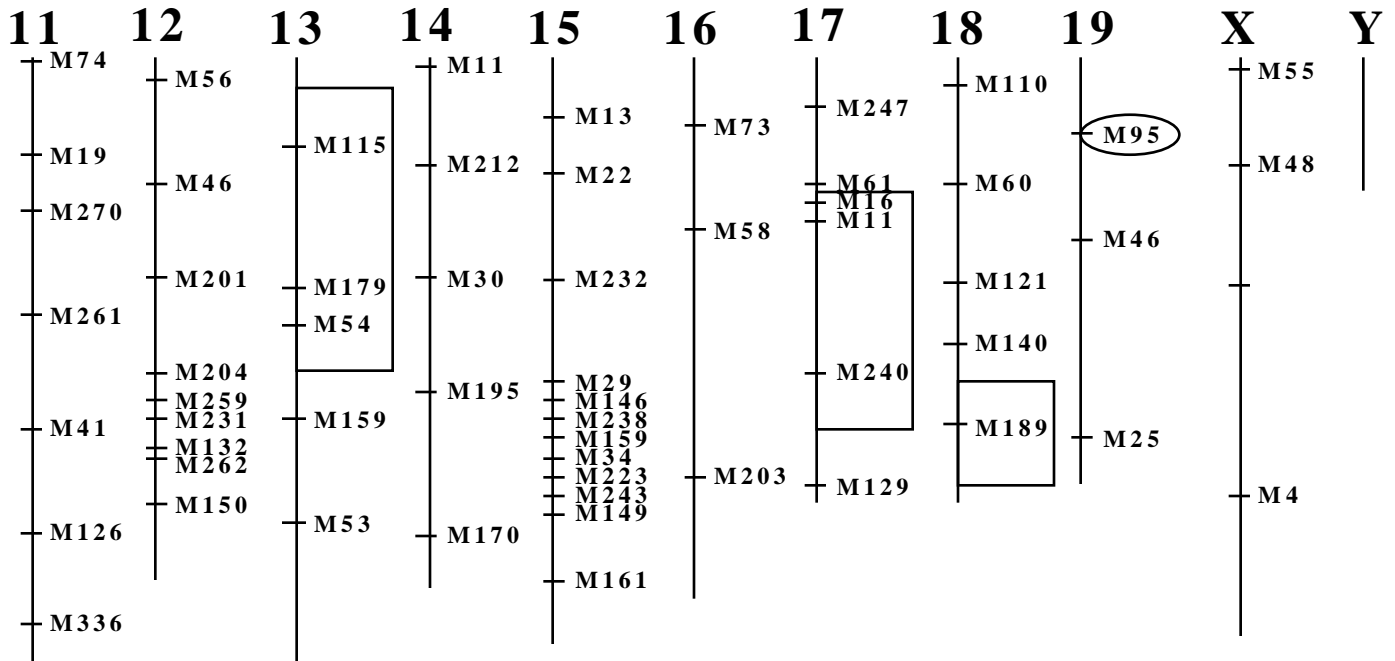
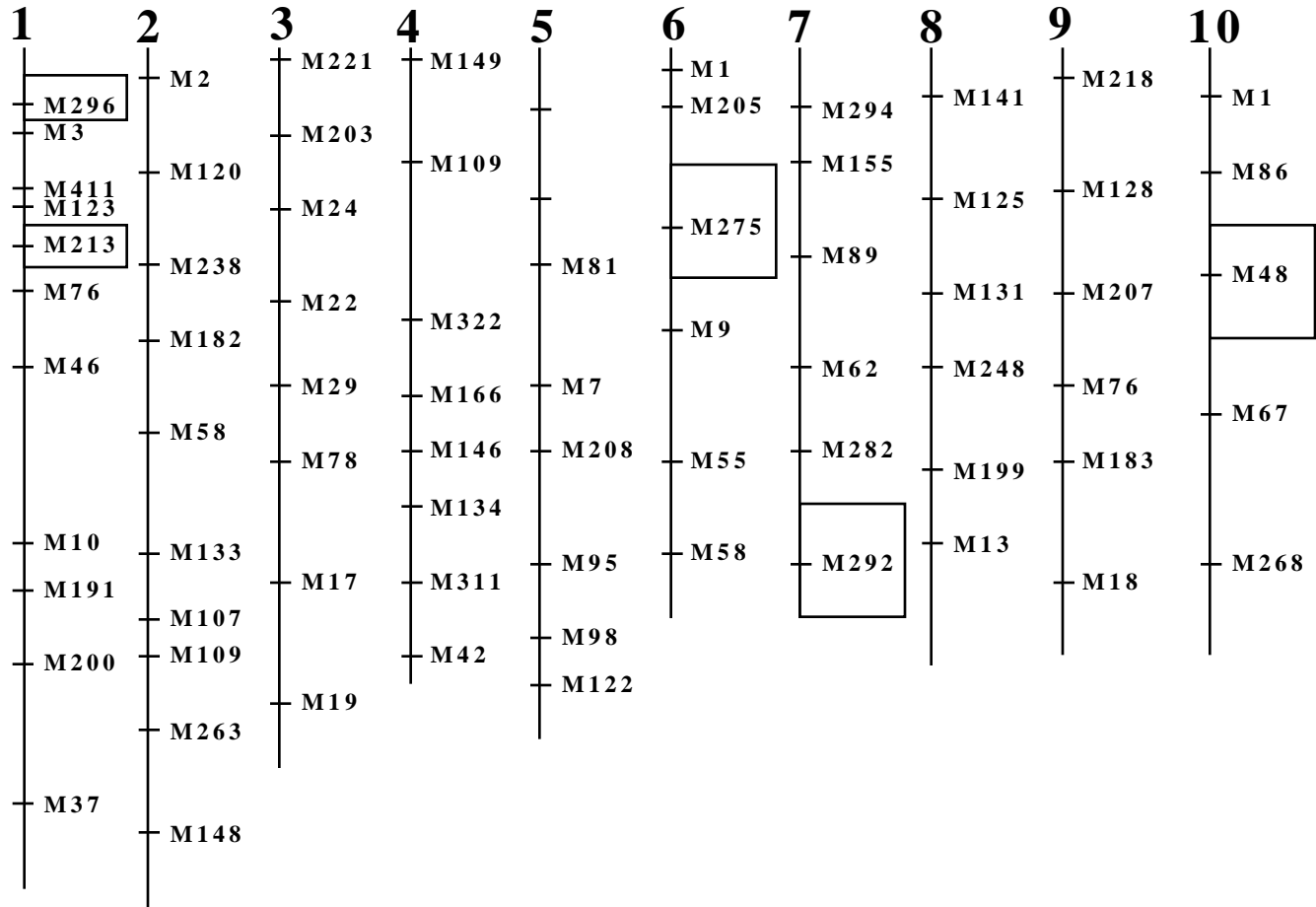


# RCS-9 (NONcNZO9)



NZO-Derived

NON-Derived

Residual Heterozygosity

Last Updated 3/15/2002